

Figure 1-1 Oracle Instance and Database

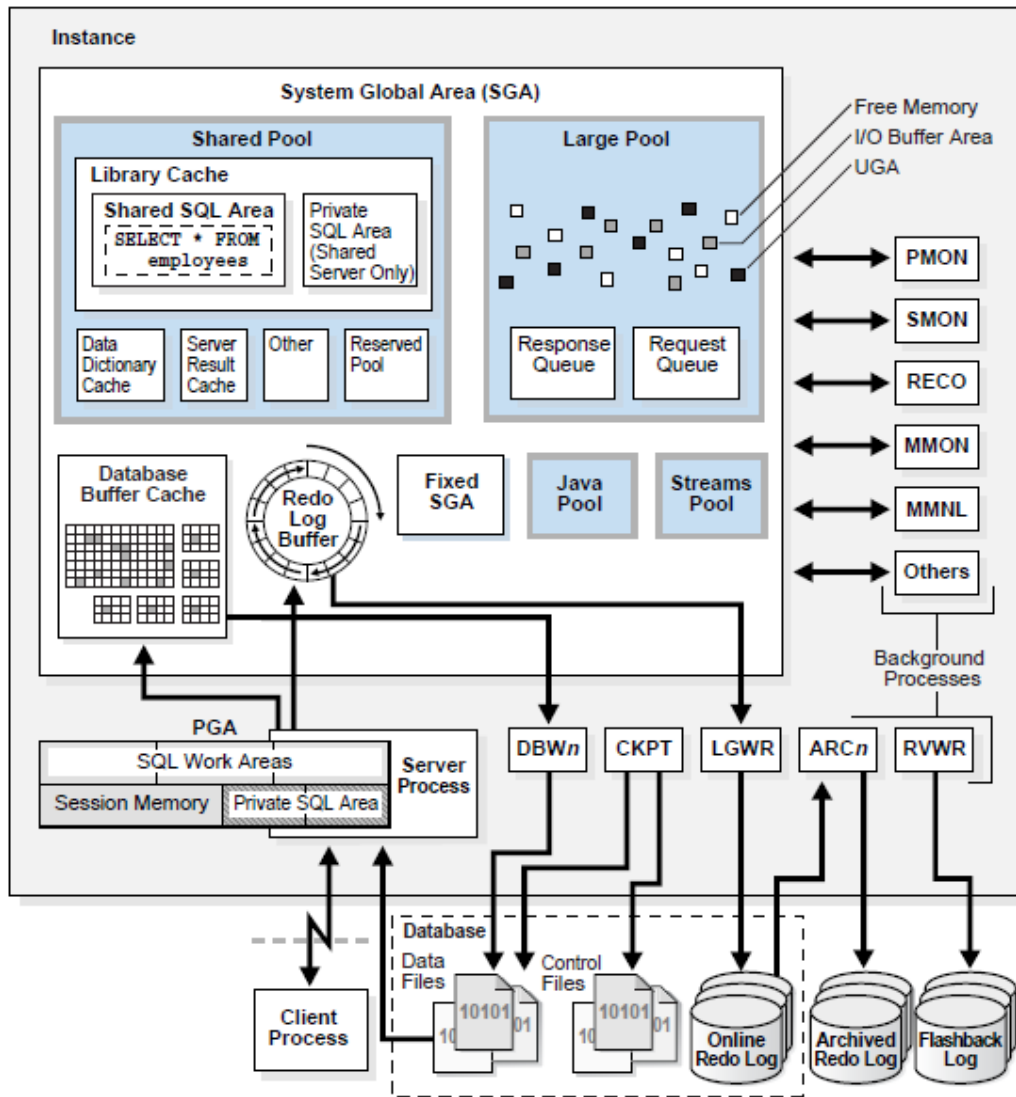


Figure 2-2 Segments, Tablespaces, and Data Files

